



Overhead lift Singel™ 5100 Herkules



The Singel™ 5100 Herkules offer you a unique possibility of lifting and moving a patient easy and safe without straining the patient as well as the carer during the lift- and moving moments. The lift is used for lifting and moving patients e.g. from a bed, wheelchair, bath/shower and from the floor. The equipment can even be used for walk training and with extra equipment, for balance training and weighing.

Important!



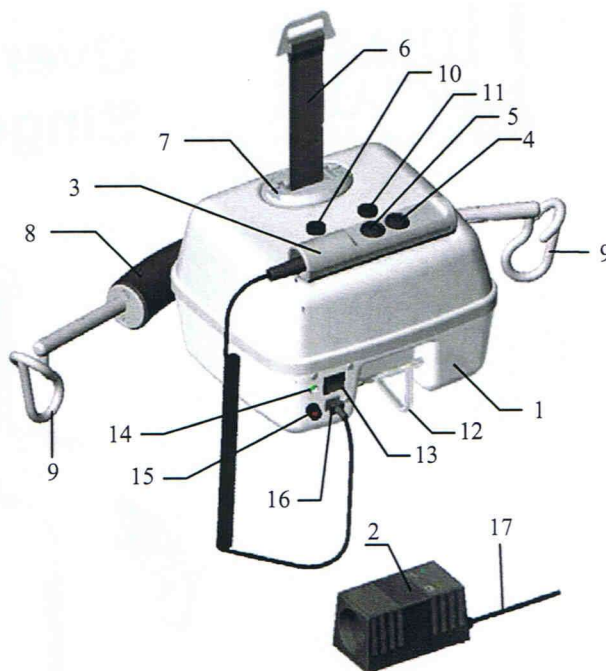
Lifting and transporting a person always involves a risk. It is important to read the instructions for both the lift and the lifting equipment. Always ensure yourself that the equipment to be used is working together with the lift. As carer you are responsible for the safety of the patient and need to be aware of the patient's ability to manage the lifting situation.

If there are any doubts, please contact the supplier.

Human Care Lifts products are constantly being updated and refined therefore we reserve us the right to change aspects without prior notice.

Product description

1. Overhead lift Singel™ 5100 Herkules
2. Charger
3. Remote control
4. UP-button (Remote control)
5. DOWN-button (Remote control)
6. Belt
7. Clamp
8. Telescopic bar™
9. Hanger bar hook
10. UP-button (On lift)
11. DOWN-button (On lift)
12. Leg hook
13. Main Switch/Emergency stop
14. Indicator lamp
15. Emergency lowering button
16. Connection remote control
17. Main power cable



Technical specification

Maximum load: 650 lbs
Dimension: 17,7 x 12,8 x 6,9 in
Weight: 22,5 lbs
Battery: 2 x 12V 3.2Ah
Type and class: B class III IP 21
Battery charger:
Input: 90-250V, AC 50-60Hz.
Output: 24V, DC 0,5A

Lifting speed:
Level 1: 70 in/min
Level 2: 118 in/min (only when unloaded)

Charger: Charging through the remote control

Telescopic bar™ - Adjustable in three different widths 13,8 in; 17,7 in and 21,7 in

Emergency lowering: Electronic
Start/stop: Soft start/soft stop
Indicator lamp:
Stand by: Flashing green
Active: Fixed green
Low voltage: Flashing red
Error: Fixed red
Remote control: Class: IP 65