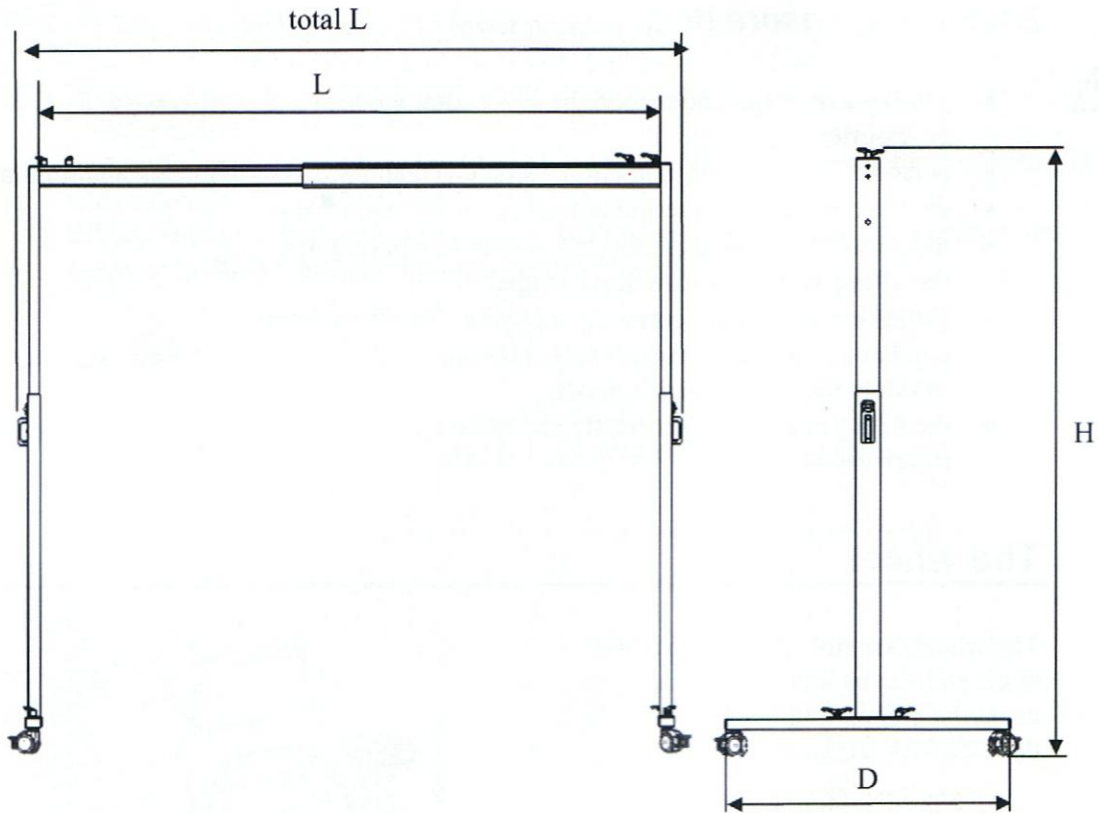


Technical data



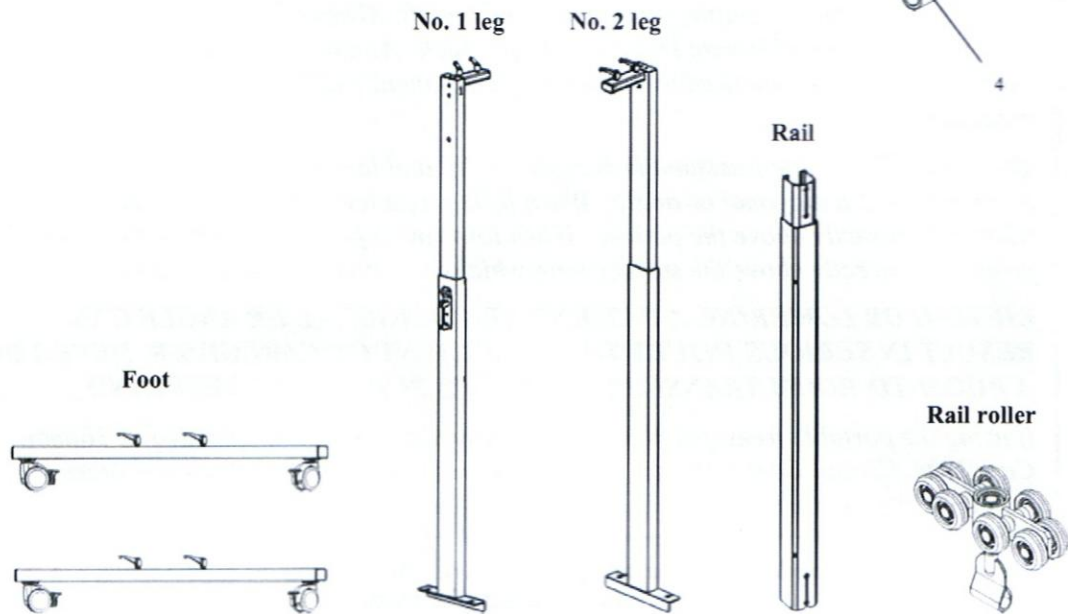
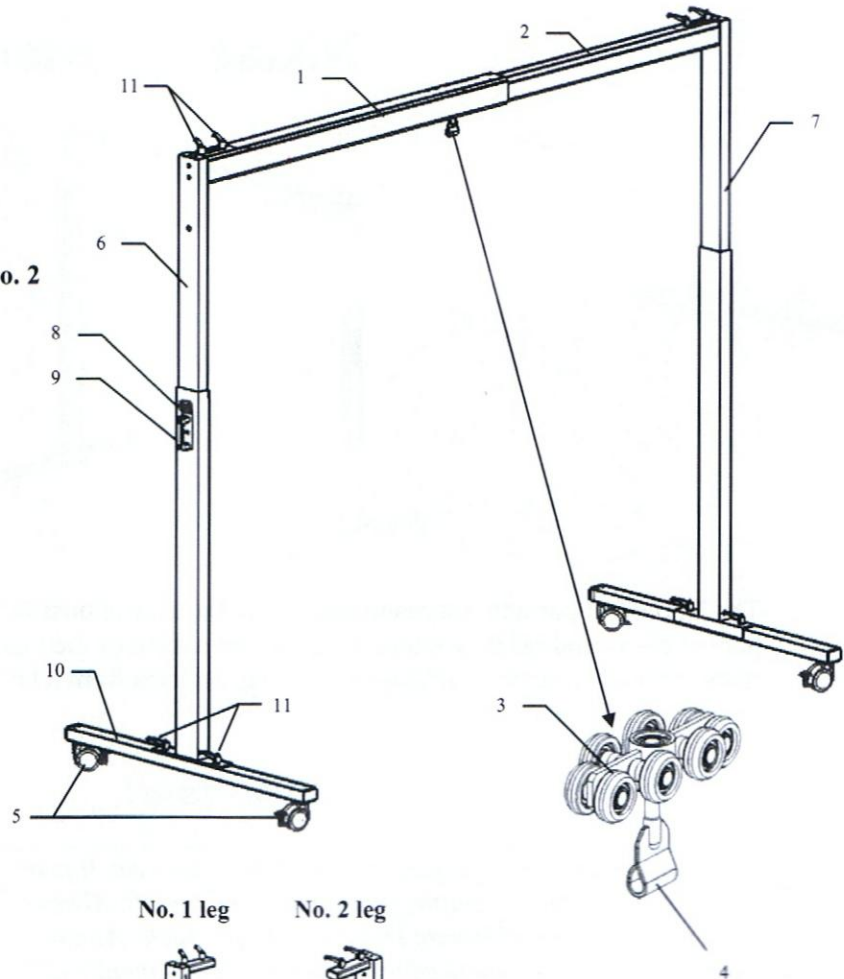
	L (length)	total L	H (height)	D (depth)
Min	1445 mm / 56 in	1615 mm / 64 in	1579 mm / 62 in	1145 mm / 45 in
Max	2450 mm / 105 in	2620 mm / 103 in	2388 mm / 94 in	1145 mm / 45 in

Technical specification

Maximum load: 220kg / 480lbs
Dimension: 2450 x 2388 x 1145mm / 105 x 94 x 45in (LxHxD)
Weight: 30kg / 66lbs
Materials: Aluminum
 Plastic
 - PTFE
 - PA
 - TPA
 Stainless steel
 Galvanized steel

Product description

1. Rail no. 1
2. Rail no. 2
3. Rail roller
4. Anchor point
5. Wheel with brake
6. Complete leg no. 1
7. Complete leg profile no. 2
8. Hinge
9. Handle
10. Foot
11. Screw with handle





Niklas™ portable freestanding



The Niklas™ portable freestanding offers you the unique possibility to lift and move a patient easily and safely without straining the patient or the caregiver. The portable freestanding can be used for lifting and moving patients from a bed, wheelchair, bath/shower or from the floor.



Important!

Lifting and transporting a person always involves risk. It is important to read the instructions for both the lifting equipment and the lift. Always ensure that the equipment to be used is compatible with Human Care products. As carer you are responsible for the safety of the patient and need to be aware of the patient's ability to manage the lifting procedure.

The Niklas™ portable freestanding is designed to lift and lower patients strictly in a vertical plane, never at a diagonal or angle. When lifting a patient, the lift motor should be positioned directly above the patient. When lowering a patient, the lift motor should be positioned directly above the surface onto which the patient is being lowered.

LIFTING OR LOWERING A PATIENT AT A DIAGONAL OR ANGLE CAN RESULT IN SERIOUS INJURY TO THE PATIENT OR CAREGIVER. NEVER DO A ROOM-TO-ROOM TRANSFER USING THE PORTABLE FREESTANDING

If using the portable freestanding Niklas™ in a way that is not recommended by Human Care Lifts, Human Care Lifts will not take any responsibility for injuries or other accidents that may occur. If in doubt, please contact the supplier.

Human Care Lifts' products are constantly updated and refined. Therefore we reserve the right to change aspects without prior notice.