

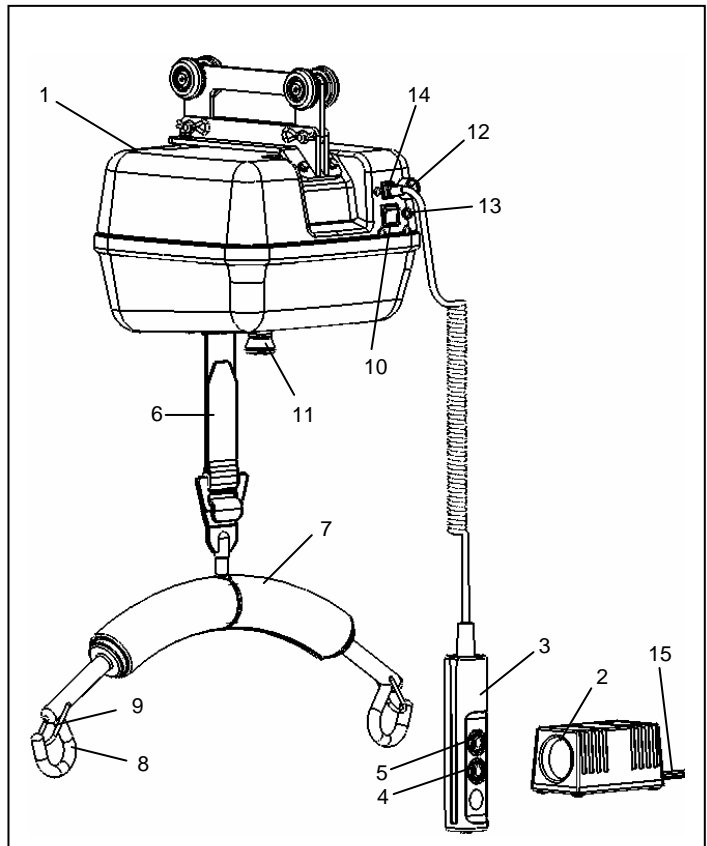
Technical specification – Singel™ 5100 Satellit



Lifting capacity:	300 kg/650 lbs/47.2 st.
Start/stop:	soft start/stop
Dimensions: (WxHxL)	450x325x175 mm 17.7x12.8x6.9 in.
Weight:	10 kg/22 lbs/1.6 st
Batteries:	2x12V 3.2Ah
Emergency lowering:	electronic/manual
Indicator:	
<i>Stand by</i>	flashing GREEN
<i>Active</i>	consistent GREEN
<i>Low voltage</i>	flashing RED
<i>Error</i>	consistent RED
Type and class:	B class III IPX1
Remote control:	Class IP65
Lifting range:	1550 mm/61 in
Sound level:	<65dB (loaded and unloaded)
Spreader bar weight:	1.4 kg/3.1 lbs/0.22 st.
Lifting speed:	1.8 m/min 3.0 m/min (only when unloaded)
Battery charger:	Input 100-250V, AC 50-60 Hz; Output 24V, 0.5A DC

Product description

1. Overhead lift Singel™ 5100 Satellit
2. Charger
3. Remote control
4. UP-button (remote control)
5. DOWN-button (remote control)
6. Belt
7. Spreader bar
8. Hanger bar hook
9. Clip
10. Main Switch
11. Emergency stop
12. Emergency lowering button
13. Indicator lamp
14. Connection remote control
15. Charger main power cable



Slings and accessories

25010 Full body sling

Material: Polyester

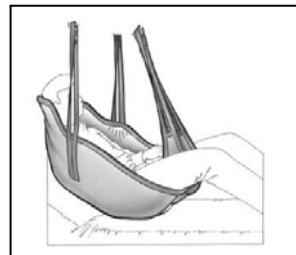
Edging: Polyester

Max weight: 300 kg

Sizes: S, M, L, XL, XXL, XXXL

Washing: See label on sling

EAN code: see www.humancare.se



50348 Scale

Patient scale that can be used together with all Human Care lift products. Max load 320 kg/700 lbs



20124 Distance strap

Several different lengths to adjust the belt length to a comfortable height

